

Feature -

- small size
- full color LED illuminated available
- long electrical life cycles
- SMT and vertical PCB terminal

Applications -

- consumer products
- computer products
- instrumentation
- communication equipments

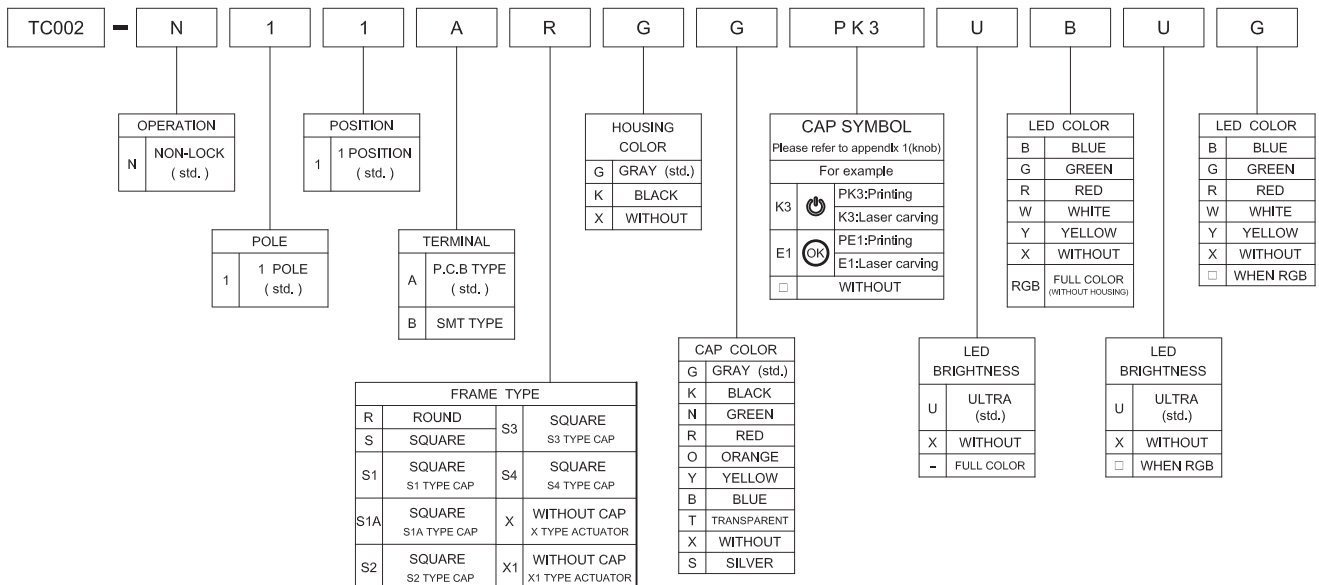
► **SPECIFICATIONS**

SWITCH SPECIFICATIONS	
POLE - POSITION	1P1T , with LED
CONTACT RATING	12 V DC , 50 mA
CONTACT RESISTANCE	100 mΩ MAX. 1.5 V DC ; 100 mA , by Method of Voltage DROP
INSULATION RESISTANCE	100 MΩ MIN. 500 V DC
DIELECTRIC STRENGTH	Breakdown is not Allowable ; 500 V AC for 1 Minute
OPERATING FORCE	180 ± 50 gf
OPERATING LIFE	500,000 cycles
OPERATING TEMPERATURE RANGE	-20°C ~ 70°C
TOTAL TRAVEL	0,2 ± 0,1 mm

LED SPECIFICATIONS		Unit	Value / LED Color				
			Blue	Green	Red	White	Yellow
ATTENTION	LEDs are Electrostatic Sensitive devices						
FORWARD CURRENT	If	mA	10	20	20	2	20
REVERSE VOLTAGE	Vr	V	5.0	5.0	5.0	5.0	5.0
REVERSE CURRENT	Ir	µA	10	10	10	10	10
FORWARD VOLTAGE	Vf	V	@ 10mA 3.0-4.0	2.1-2.5	2.0-2.5	@ 2mA 2.8-4.0	2.0-2.5
LUMINOUS INTENSITY	Iv	mcd	@ 10mA 200	800	1800	@ 2mA 12	1800

■ Physical and electrical information of LED will be provided upon customer's request on switches .

► **HOW TO ORDER**

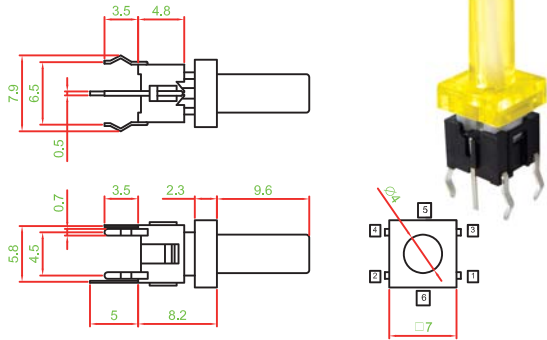


▶ **FRAME TYPE OPTION**

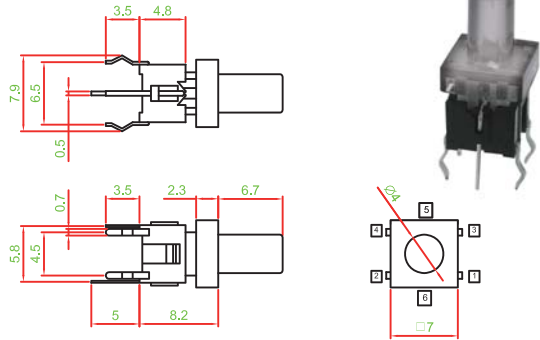
<p>TC002-N11AXXX □ □ □ □</p>	<p>TC002-N11AX1XX □ □ □ □</p>
<p>TC002-N11AXXX - R G B</p>	<p>TC002-N11BXXX □ □ □ □</p>
<p>TC002-N11BXXX - R G B</p>	<p>TC002-N11BSXK - R G B</p>
<p>TC002-N11ARKK □ □ □ □</p>	<p>TC002-N11ASGG □ □ □ □</p>

▶ **FRAME TYPE OPTION**

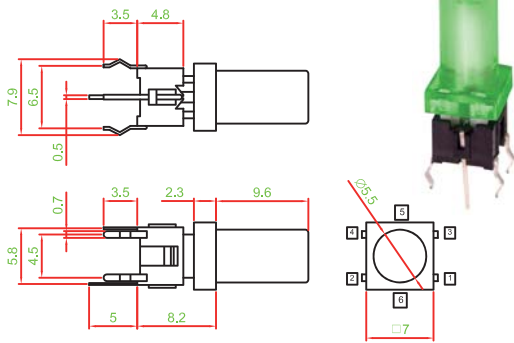
TC002-N11AS1XT □ □ □ □



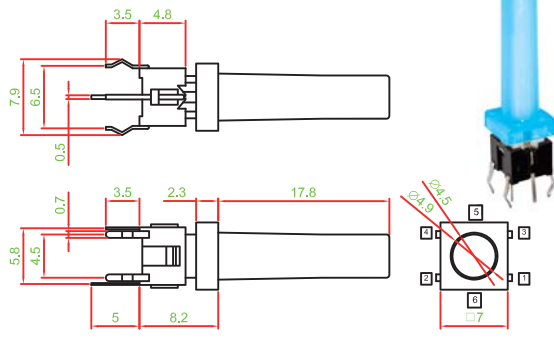
TC002-N11AS1AXT □ □ □ □



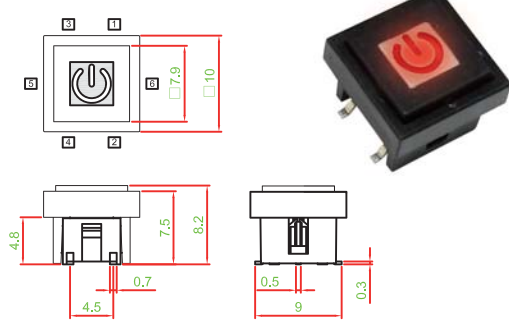
TC002-N11AS2XNT □ □ □ □



TC002-N11AS3X WT □ □ □ □



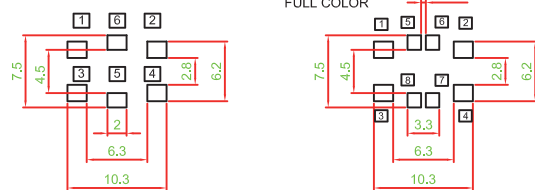
TC002-N11BS4KK SK3 □ □ □ □



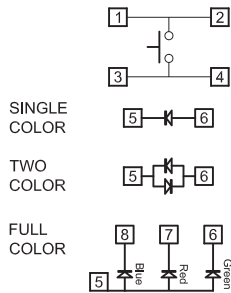
P.C.B TYPE



SMT TYPE



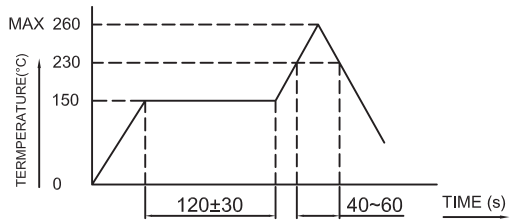
▶ **CIRCUIT**



▶ **MATERIAL**

- COVER - PA or PC
- ACTUATOR - PA
- BASE FRAME - PA
- TERMINAL - BRASS SILVER PLATING

▶ **REFLOW SOLDERING**



	0	1	2	3	4	5	6	7	8	9	10	11	12	13	14	15	16	17	18	19
A	0	1	2	3	4	5	6	7	8	9	10	11	12	13	14	15	16	17	18	19
B	A	B	C	D	E	F	G	H	I	J	CH5	CH6	DSK	PIP	Q-KEY	CUT	TAKE	REC	ENG	PROD
C	K	L	M	N	O	P	Q	R	S	T	REPLAY	RET1	RET2	KEY ON	AUTO TAKE	A1	A2	A3	A4	0
D	U	V	W	X	Y	Z	POWER	ON OFF	ON	OFF	USER A	USER B	USER C	USER D	USER E	USER F	USER G	USER H	USER I	
E	OK	OK	Auto	Enter	Start	STOP	OPEN	CLOSE	Exit	Move	USER J	↶	✕	□	⏮	⏪	⏩	⏭	M-1	⏭
F	SET	Reset	Light	Alarm	Menu	Next	Back	Delete	Motor	Save	⏮	⏪	⏩	⏭	✓1	✓2	☰	↑	↶	↷
G	Up	Down	Right	Left	Test	End	Insert	Lock	Print	+/-	⏮	⏪	⏩	⏭	⏮					
H	ESC	BC.	HOME	Health	D-LED 2	OC GENIE	VIDEO INPUT	clr CMOS	Green Power	Save OK										
I	B/R	Undo	T/L	F1	F2	F3	F4	F5	F6	F7										
J	F8	F9	F10	F11	F12	F13	F14	IN 1	IN 2	IN 3										
K	IN 4	IN 5	IN 6	⏮	⏪	⏩	⏭	⏮	⏪	⏩										
L	+	-	×	÷	=	↑	→	▲	▶	▶										
M	↕	⏮	⏪	⏩	⏭	↑	→	↑	→											
N	↑	→	▲	◀	▶	◀	▶	◀	▶											
O	■	⏮	⏪	⏩	⏭	⏮	⏪	⏩	⏭	⏮										
P	⏮	⏪	⏩	⏭	⏮	⏪	⏩	⏭	⏮	⏪										
Q	ME3	ME4	BGND 3D DVE1	BGND 3D DVE2	BUS COLOR	ME BUTTON LINK	*	INSERT	WIPE	⏮										
R	⏮	ALL	⏮	VP	⏮	COPY	⏮	RECORD MODE	↑	⏮										
S	🔊	♥	MUTE	🔊	🔊	🔊	🔊	🔊	🔊	🔊										
T	🔊	🔊	group	🔊	🔊	🔊	🔊	🔊	🔊	🔊										
U	🔊	🔊	chair	web	web	🔊	🔊	🔊	🔊	🔊										
V	🔊	🔊	OC	🔊	🔊	CLEAR	CROSS WIND	AMMO TEMP	BARO PRESS	AIR TEMP										
W	BORE-SIGHT	CANT	LEAD	RANGE	MRS	ZERO	TEST	UD	LR	◊										
X	ID	Dtep	MF	GALL	◊	BAND	SETUP	MODE	LINK	FUNC.										
Y	SHIFT	🔊	🔊	🔊	🔊	DEL	🔊	🔊	🔊	🔊										
Z	🔊	🔊	🔊	RUN	2D	3D	CH1	CH2	CH3	CH4										